

ALFRED TEVES BRAKE SYSTEMS (PTY) LTD

TECHNICAL BULLETIN

26 SEPTEMBER 2023

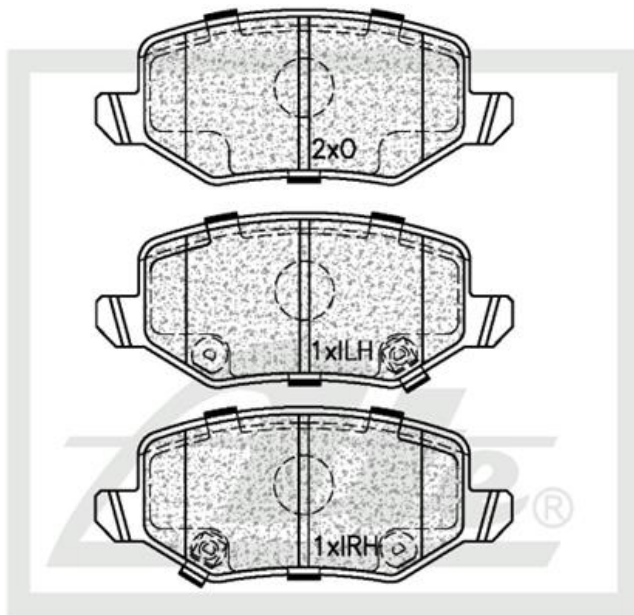


(ATE and Teves are registered trademarks of Continental Teves AG & Co oHG and/or its affiliates in Frankfurt Germany and other Countries)

ATE1420

NEW PART NUMBER

Drawing



SUPPLIED WITH 2 X WEAR INDICATOR PADS PER SET
NOTE : L + R HANDED



Details of New Part

Brake Pad – Rear

Product Dimensions

Length – 105.6mm

Height – 44.4mm

Thickness – 16.4mm

Package Dimensions

Weight – 881.0g

L – 150.0mm

W – 95.4mm

H – 51.74mm

Barcode



ATE1420

hh

HAVAL JOLION 1.5 T; HAVAL JOLION 1.5T HYBRID

Front

Position

Rear



CALL NOW TO ORDER YOUR STOCK!!!

(011) 898 1800

Picture(s) of the vehicle(s) that this part is suitable for



www.ate.co.za

"Single Minded about YOUR Safety"